

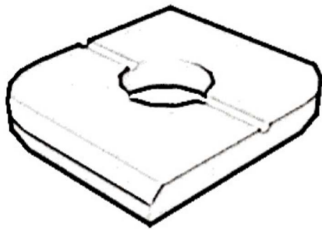
INSTALL GUIDE



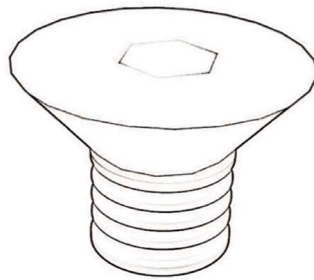
Sliding disk foot - components

Components:

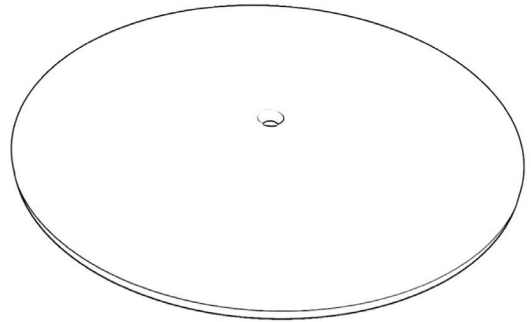
SLIDING PLATE



CSK BOLT



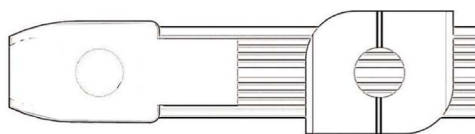
DISK FOOT



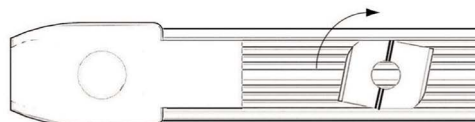
ALL COMPONENTS SUPPLIED IN A BAG

FITTING NOTE: PLEASE ENSURE FIXING BOLT IS NOT OVERTIGHTENED. USE ALLEN KEY OR EQUIVALENT AND TIGHTEN BY HAND. **DO NOT** USE A POWER DRILL AS THIS CAN DAMAGE SLIDING PLATE.

Plan View of fit:



Positioning of plate to fit into rail.



Twist plate clockwise to lock into rail.

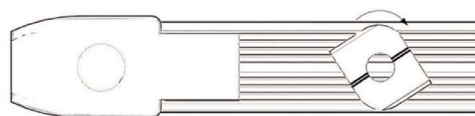


Plate may require forcing into position.

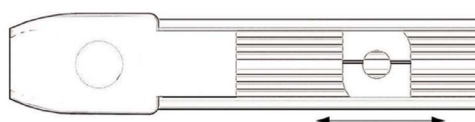
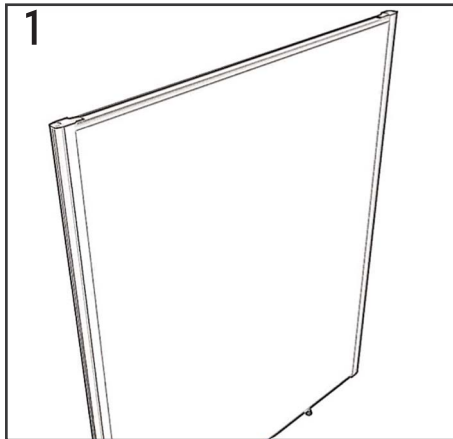


Plate will slide once in place.

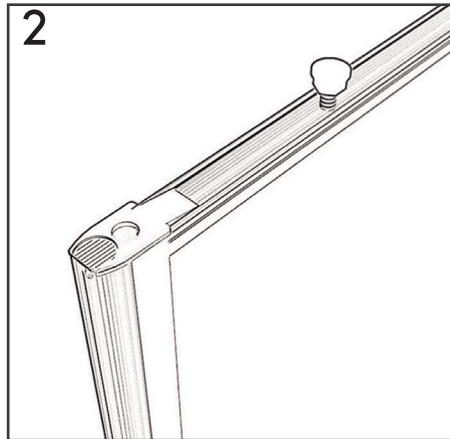
INSTALL GUIDE



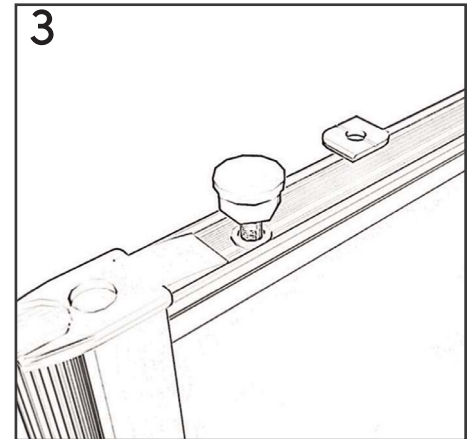
Sliding disk foot



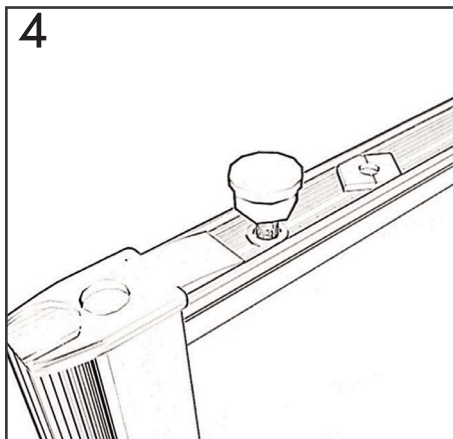
1
Take the screen you wish to attach a sliding foot to.



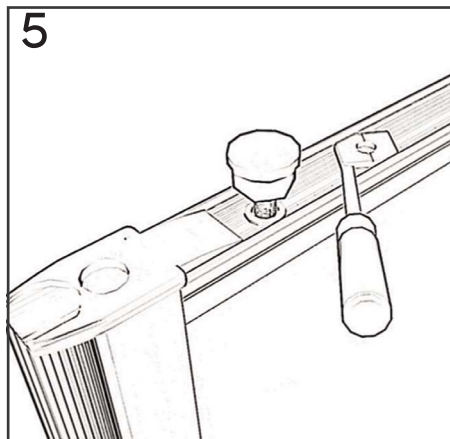
2
Carefully turn the screen upside down.



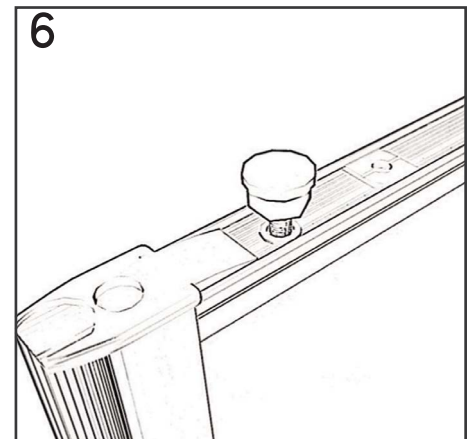
3
Position a sliding plate over the bottom rail with the grooved side facing up.



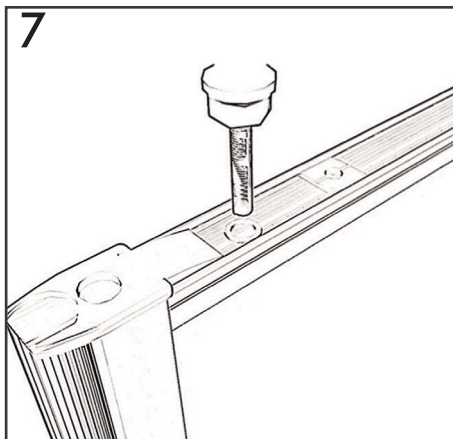
4
Twist the sliding plate clockwise into the screen.



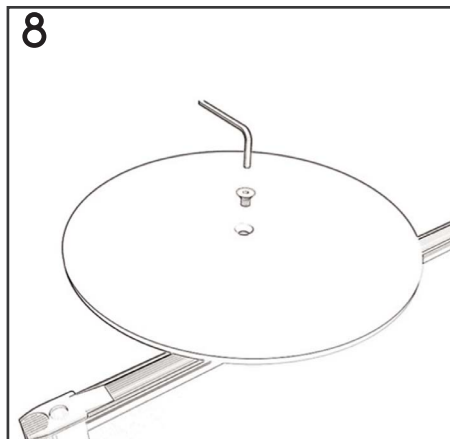
5
Use a screwdriver or equivalent to force the sliding plate into the rail so it slides.



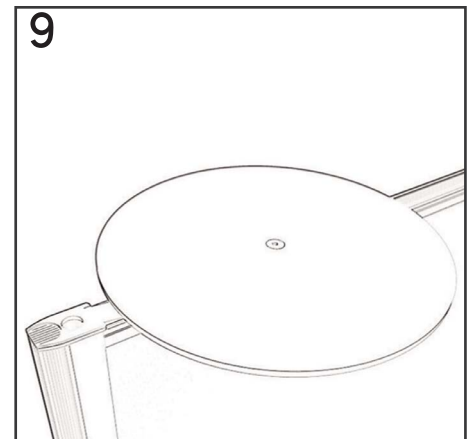
6
Slide the plate to the position where it is required.



7
Remove the height adjusters from the bottom rail of the screen.



8
Take the CSK bolt required for the foot and ensure all holes are inline.



9
Secure by tightening the bolt to complete the installation.