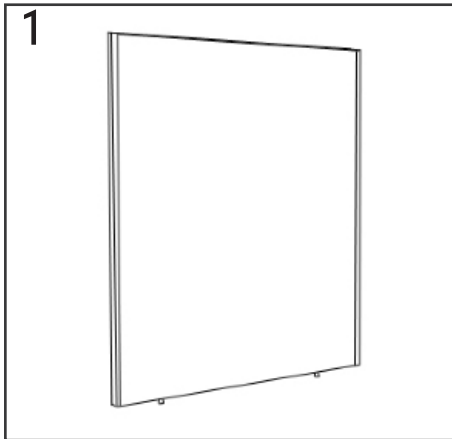


INSTALL GUIDE

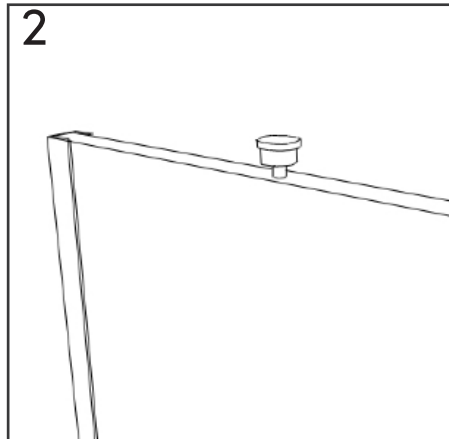


T foot - economy screens

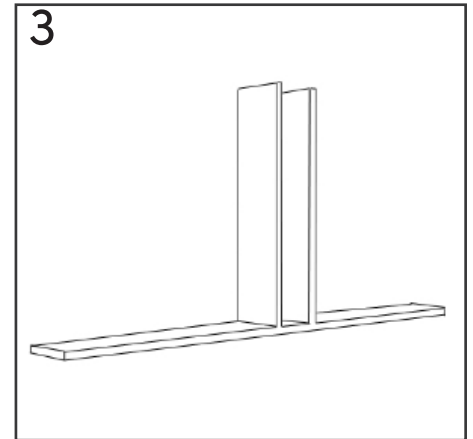
Compatible with: 1 Series, 2 Series, Pinch



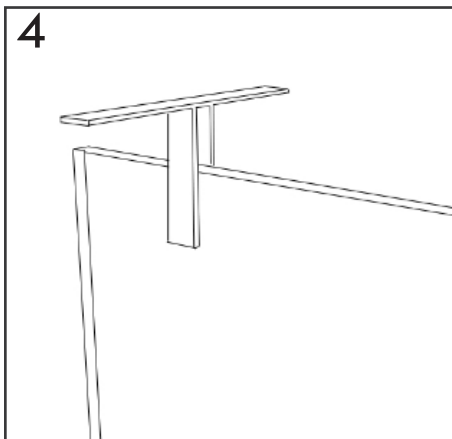
Carefully unwrap screen.



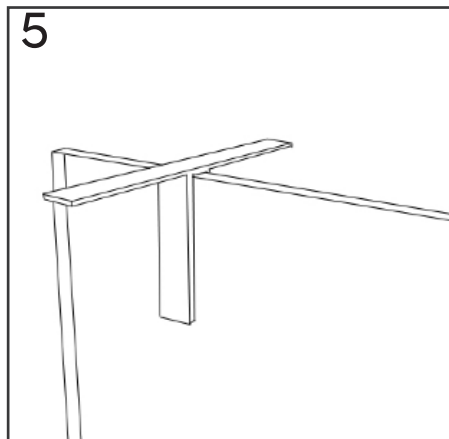
Turn upside down & unscrew height adjusters.



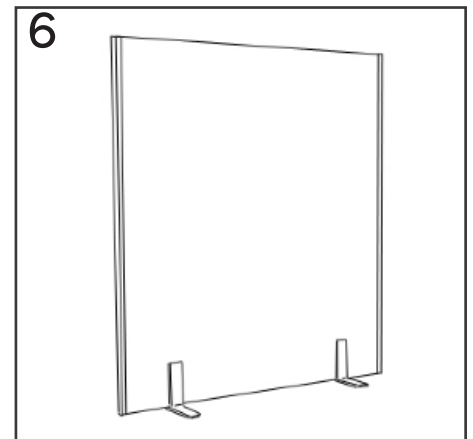
Unwrap T feet.



Slide foot onto bottom of screen in desired position.



Slide all the way down as shown.



Carefully turn the screen the correct way round to finish.