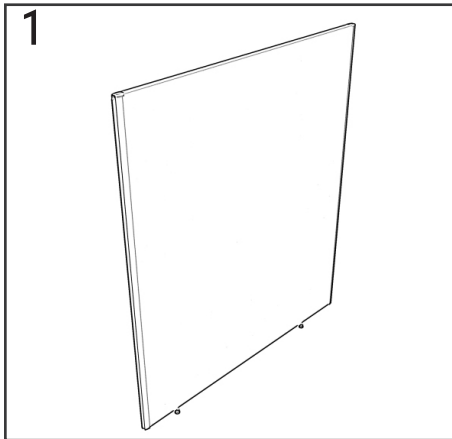


INSTALL GUIDE

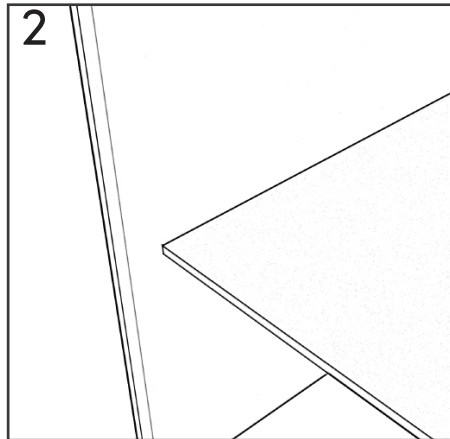


Desk-to-screen bracket

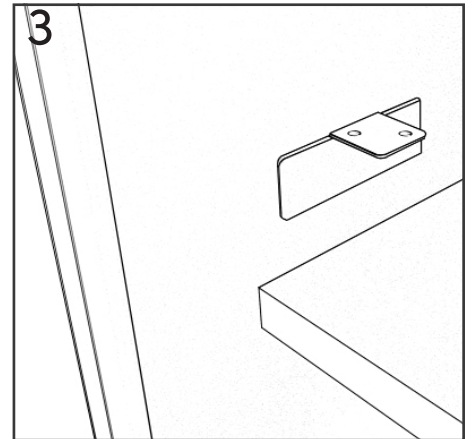
Compatible with: 1 Series, 2 Series free-standing screens



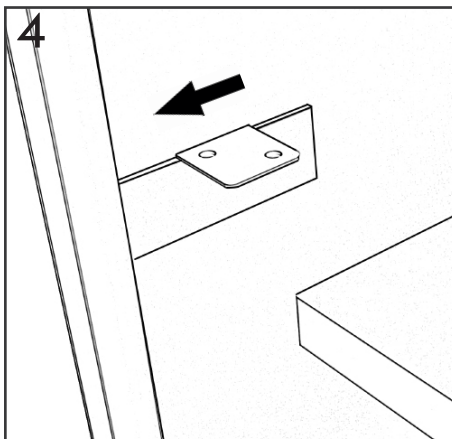
1
Take the free standing screen and adjust the height adjusters if required.



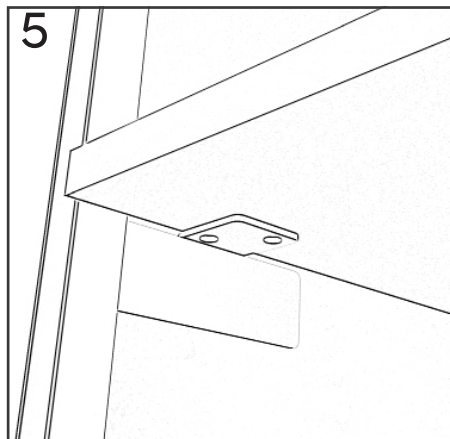
2
Line up the free standing screen to the desk.



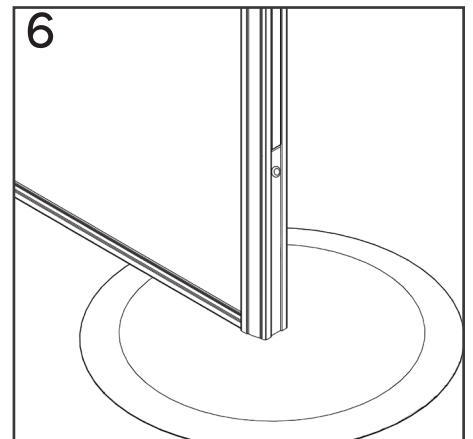
3
Take the desk to screen bracket and line it up with the screen and under side of the desk top.



4
Slide one side of the edges of the bracket into the side trim of the screen in between the fabric and the aluminium.



5
Position the screen up against the desk making sure the bracket is positioned directly under the desk top.



6
Screw the bracket into the under side of the desk top with the screws provided.